



# Sensormatic®

## Detection System

### Ultra•Exit 2m

### Pedestal

#### AMS-1090



#### Stylish and Effective

The Sensormatic Ultra•Exit 2.0m detection system features our premier Ultra•Max technology offering the highest level of theft deterrence, while optimizing store performance and enhancing shopper experience.

The Ultra•Exit 2.0m system, providing up to 2m (6ft 6in) of coverage between pedestals, is compatible with our full suite of enhance detection features including, “tags-to-close,” remote alarming, integrated people counting, jammer detection and metal-foil booster detection. It can also be paired with our Local Device Manager (LDM) II for easy management of in-store EAS programs.

While preserving store aesthetics and maximizing customer flow, the choice of system designs makes it the right detection system for virtually any retail setting, from the high-end boutiques to the busy DIY environment.



#### Benefits:

##### // Highest performance Ultra•Max deterrent

Ultra•Exit AMS-1102 (Solid Acrylic), AMS-1090 (ABS) and the AMS-1091 (Composite) offer one of the highest levels of Ultra•Max detection. Each system is compatible with all Sensormatic hard tags and labels.

##### // System design to match a variety of retail requirements

From the high aesthetic acrylic antenna to the high impact plastic antenna, there is an antenna design to match the requirements of all retailers.

##### // Advanced electronic and software design

The on-board intelligence within the 9050 Controller provides for flexible system configuration that continuously monitors the system performance and automatically adjusts to account for changing environments.

##### // SmartEAS options

Includes people counting sensors that can be integrated into the pedestal alarm lens.

## AMS-1090

Ultra•Exit 2m Pedestal



### Specifications:

#### Pedestal Dimensions:

Pedestal Thickness:..... 2.5 cm (0.98 in)  
 w/ Base covers: ..... 12.4 cm (4.88 in)  
 Width:.....49.2 cm (19.37 in)  
 Height:..... 151 cm (59.44 in)

#### System Controller 9050:

Length: .....44.6 cm (17.55 in)  
 Width.....33.5 cm (13.18 in)  
 Height:..... 9.2 cm (3.62 in)

**Weight:** ..... 25.7 kg (56.7 lbs)

**System:**..... AM

#### Transmitter:

Operating Frequency: ...58kHz (±200Hz)  
 Transmit Burst Duration: ..... 1.6ms  
 Max. Transmit Current: ..... 16A peak  
 Burst Repetition Rate  
 Based on 50Hz: ..... ac 75Hz or 37.5Hz  
 Based on 60Hz: ..... ac 90Hz or 45Hz

#### Receiver

Center Frequency: ..... 58kHz  
 Receive Coil Resistance: 1.6 ohms (±5%)

#### Alarm

Audio level: .....97dBA

### Regulatory Compliance:

#### EMC:

47 CFR, Part 15  
 ETSI EN 300 330  
 ETSI EN 301 489  
 RSS 310

#### Safety:

UL 60950-1  
 CSA C22.2 No 60950-1  
 EN 60950-1

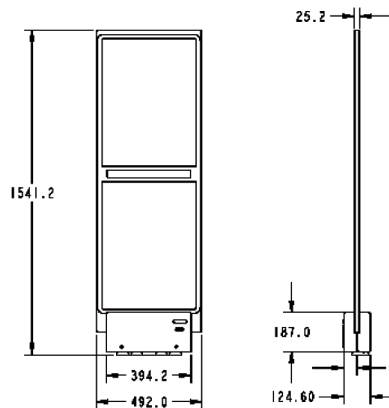
### Environmental:

#### Ambient Temperature:

0°C to 50°C (32°F to 122°F)

#### Relative Humidity:

0 to 90% Non-condensing



### Product Compatibility:

The detection systems are powered by the 9050 Controller, which represents the most advanced Ultra•Max platform ever produced. Leading edge DSP and new antenna topology ensures continuous superior performance, even under the most hostile electronic noise conditions.

### Product Codes:

#### ZAUE-1

AMS-1090 ABS Single

#### ZAUE-2

AMS-1090 ABS Dual

#### ZAUE-3

AMS-1090 ABS Split

#### ZAUE-4

AMS-1090 ABS Quad

#### ZPUE-PLBASE

Ultra•Exit Base Cover - Dark Grey

#### ZPUE-PLBASE-MS

Ultra•Exit Base Cover - Silver Grey

### Additional Information

The Tyco Retail Solutions portfolio is sold direct and through authorized business partners around the world. Please contact your sales professional for more details or visit [www.tycoretailsolutions.com](http://www.tycoretailsolutions.com)

L8858-00

[www.tycoretailsolutions.com](http://www.tycoretailsolutions.com)

© 2013 Tyco

Copyright © 2013 Tyco Retail Solutions. All rights reserved. TYCO RETAIL SOLUTIONS, SENSORMATIC and the product names listed in this document are marks and/or registered marks. Unauthorized use is strictly prohibited.